



# ARIES

DIRECT VENT GAS FIREPLACES





*FEATURED Aries shown with Oak Logs and Black Painted Interior*

## **ARIES**

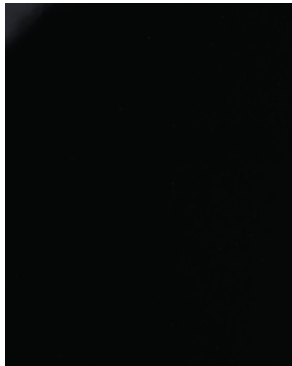
The Aries Traditional direct vent combines beauty, efficiency and value, and features a clean faced heat-circulating design with beautiful flame, glowing embers and detailed 5-piece ceramic fiber oak logs. All models are equipped with a standard barrier that meets 2015 requirements.



Ceramic Fiber Oak Log Set

### Options

INTERIOR (ONE REQUIRED)  
Choose from three distinctive liners.



Black Painted Interior  
(standard)



Buff



Vintage Red

### EXCLUSIVE FEATURES

- ◆ Available in 33", 35", 40" and 45" clean-faced models
- ◆ Dedicated top or rear flue configuration (45" model is a combo top/rear)
- ◆ Millivolt or electronic ignition with seamless battery backup operation in the event of a power outage (IPI/CPI switch standard)
- ◆ Random, dancing yellow flames
- ◆ Outstanding heating efficiency for increased comfort and lower operating costs
- ◆ Standard tempered glass and 2015 ANSI barrier compliant
- ◆ Detailed ceramic fiber "oak" log set with log grate
- ◆ Black painted interior (optional ceramic fiber liners available)
- ◆ Durable textured powder coat finish
- ◆ Optional blower and remote controls available for all models
- ◆ Limited Lifetime Warranty

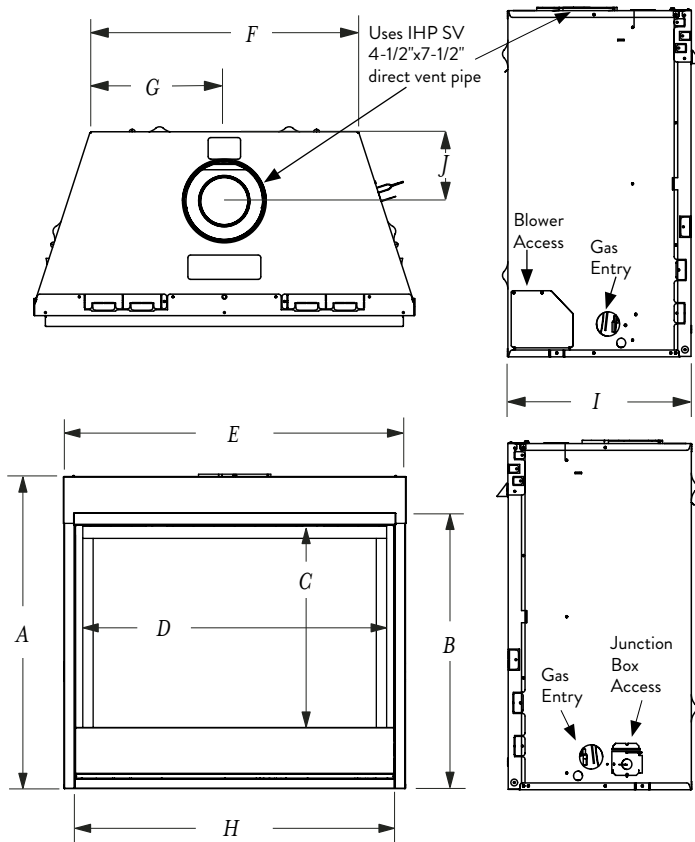
### ADDITIONAL OPTIONS

- ◆ Choice of blower with multiple control options
- ◆ Remotes & wall mounted controls



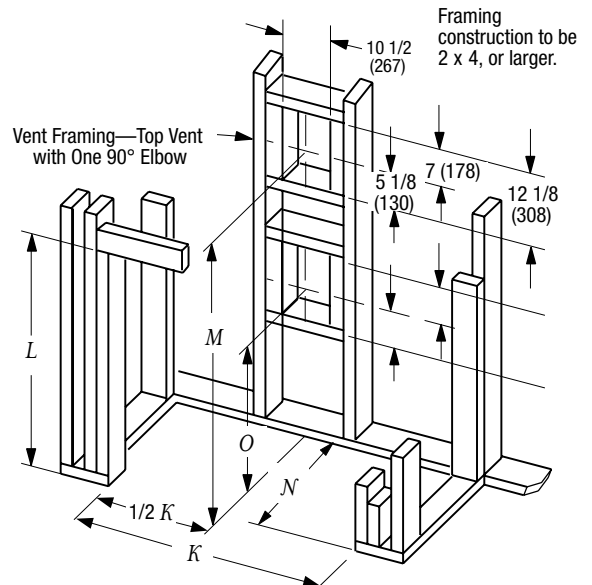
Optional Touch Remote

## APPLIANCE SPECIFICATIONS



	ARIES 33	ARIES 35	ARIES 40	ARIES 45
A	30-1/8"	32-1/8"	37-1/8"	37-1/8"
B	26-1/4"	28-3/4"	33-1/4"	33-1/4"
C	18-5/16"	22-1/4"	27-1/4"	27-1/4"
D	30-1/2"	32-3/8"	37-3/8"	42-3/8"
E	33-5/8"	35-1/4"	40-1/4"	45-1/4"
F	21-7/8"	25"	30"	35"
G	10-15/16"	12-1/2"	15"	17-1/2"
H	31"	32-7/8"	37-7/8"	42-7/8"
I	14"	17"	17"	17"
J	5-3/4"	6-7/8"	6-7/8"	6-7/8"

## FRAMING SPECIFICATIONS



	ARIES 33	ARIES 35	ARIES 40	ARIES 45
K	33-3/4"	35-3/8"	40-3/8"	45-3/8"
L	34-1/4"*	36-1/4"*	41-1/4"*	41-1/4"*
M	36-7/8"	38-3/4"	43-3/4"	43-3/4"
N	14-1/2"	18"	18"	18"
O	19-5/8"	23-3/8"	28-1/4"	28-1/4"

\* Includes 4" for fold-up standoffs

## FIREPLACE EFFICIENCIES

MODEL	FUEL	BTU/HR	AFUE**	P4/ENERGUIDE*
ARIES 33	NG	12,000	64%	60.4%/64.8%
ARIES 33	LP	10,000	64%	60.4%/64.8%
ARIES 35	NG	14,000	65.5%	61.0%/65.0%
ARIES 35	LP	12,000	65.5%	61.0%/65.0%
ARIES 40	NG	16,000	65.5%	62.0%/65.0%
ARIES 40	LP	15,000	65.5%	62.0%/65.0%
ARIES 45	NG	20,000	65%	63.0%/66.0%
ARIES 45	LP	19,000	65%	63.0%/66.0%

\*Intermittent ignition systems. Millivolt/Electronic.

\*\*Annual Fuel Utilization Efficiency (AFUE) is the recognized U.S. rating system for the total efficiency of heating products.



Approved for use with European Copper and Chimney Classics chimney tops, which improve performance and add an elegant touch.

### IMPORTANT NOTES:

As with any fireplace, this appliance is extremely hot during operation. Read and understand all operating instructions before using this appliance. For further information, consult your dealer.

Local conditions, such as elevation, wind, vent configuration and choice of fuel will affect overall appearance of the fire and heating performance. Performance can also vary with home design and insulation, climate, condition and type of fuel used, appliance location, burn rate, accessories chosen, chimney installation and how the appliance is operated.

Diagrams, illustrations and photographs are not to scale—consult installation instructions. Product designs, materials, dimensions, specifications, colors and prices are subject to change or discontinuance without notice.

astria  
FIREPLACES®

© 2014 Innovative Hearth Products

785395M 01/15

Visit us online



Astria.us.com

