

# MONTECITO ESTATE

EPA WOOD BURNING FIREPLACES



*Traditional*  
Fireplace  
Design Collection

# TRULY

# TIMELESS

astria  
FIREPLACES™





# SHOW YOURSELF IN

Create a room that begs you to stick  
around, *sit down and relax.*

*FEATURED Montecito Estate with White Stacked  
Textured Panels, Hammered-Steel Facade and doors*



*FEATURED Montecito Estate with White Stacked Textured Panels and Smooth Facade and door*

## EXCLUSIVE FEATURES

- ◆ Circulating design features facade, arch door and ceramic glass for optimum heat transfer
- ◆ EPA phase II certified wood heater
- ◆ 4.0 cubic foot insulated firebox that accepts up to 30" log size for increased performance
- ◆ White stacked textured refractory panels with integrated ash lip and decorative cast iron log retainer
- ◆ Air combustion control for variable heat output with time-delayed air boost for faster wood ignition during startup
- ◆ Includes insulated outside air kit (required for use)
- ◆ 86.7% Thermal efficiency and heats up to 2,500 square feet\*
- ◆ Efficient air wash system that keeps glass clean
- ◆ Steel double door with heat resistant door handle that stays cool to the touch
- ◆ Includes heat activated 350 CFM UZY-7 variable speed blower for time-delayed heat distribution
- ◆ Dual ducted gravity kit and/or thermostatically controlled forced air kit available (three maximum outlets)
- ◆ Durable high temperature paint finish
- ◆ Uses SCIL (ACBI) 7" air cooled wood burning chimney
- ◆ Uses SCIL (S-2100 / HT6000) 7" diameter – 2" thick insulated wood burning chimney
- ◆ Lifetime Limited Warranty

INTERIOR (STANDARD)



White Stacked Textured Panels

DOORS (REQUIRED)



Hammered-Steel



Smooth

FACADE (REQUIRED)



Hammered-Steel



Smooth

ADDITIONAL OPTIONS

Hammered Steel or Smooth Door (One Required)

Hammered Steel or Smooth Facade (One Required)

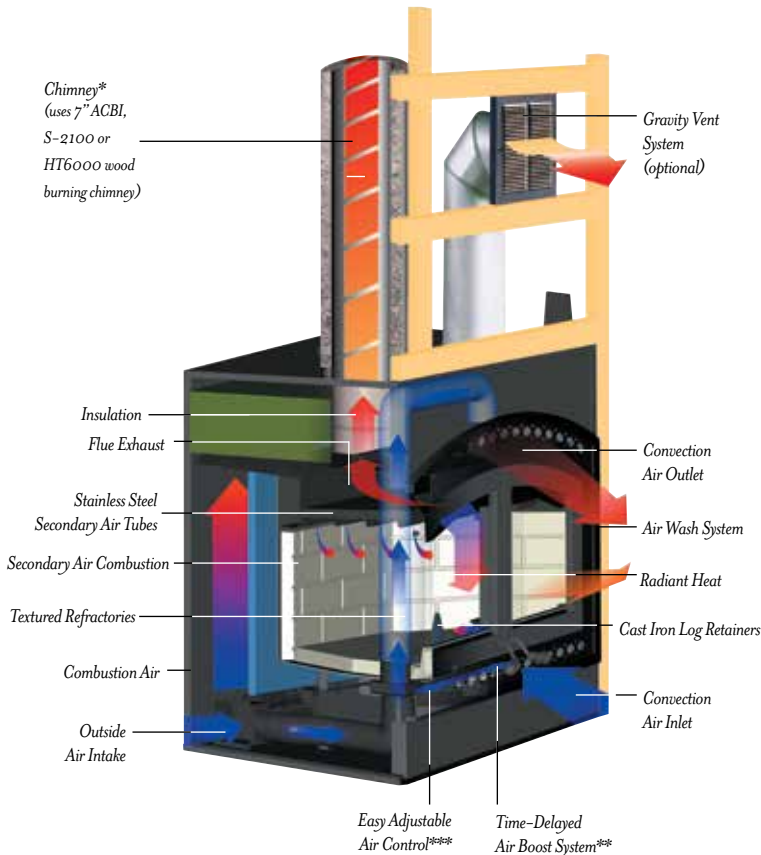
Rigid Fire Screen

Double Duct Gravity Kit

Forced Air Kit

ENGINEERING FEATURES AND SPECIFICATIONS

\* RIGID FIRESCREEN IS ALSO AVAILABLE



\*Air-cooled chimney not recommended for use at elevations above 4,000 feet or in climates where temperatures will fall below 32° Fahrenheit (0° Celsius).

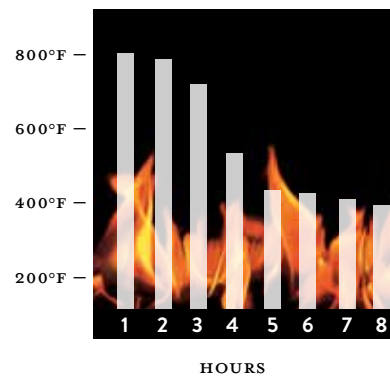
\*\*Exclusive time-delayed Air Boost system provides additional air input at ignition before dropping back to the desired burn rate you have set.

\*\*\*Air-cooled chimney not recommended for use at elevations above 4,000 feet or in climates where temperatures will fall below 32° Fahrenheit (0° Celsius).

MULTI-ROOM HEATING OPTIONS

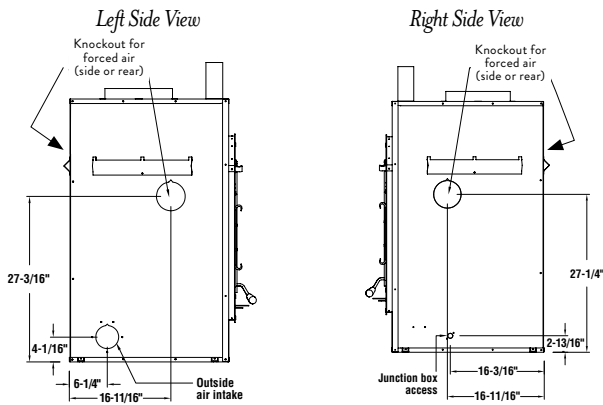
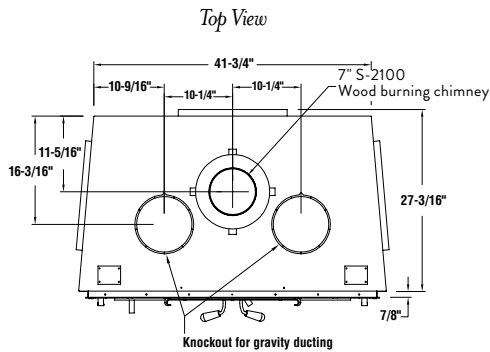
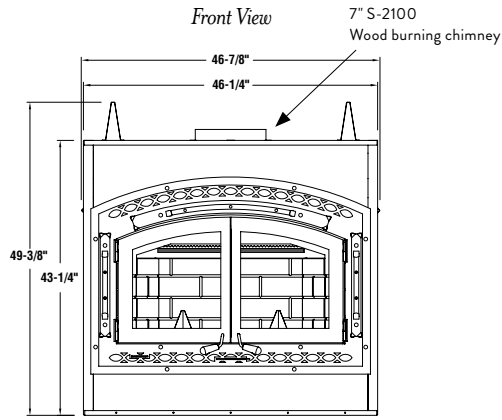
The Montecito Estate wood burning fireplace can be used to heat multiple rooms within your home with our gravity vent kit option. Through natural convection or with the aid of the heat-circulating fan, warm air can be directed up to 10 feet away into one or two adjacent rooms, giving you the flexibility to heat up to three areas. Heat the family room with the fireplace, and the dining room and upstairs bedroom with the gravity vent kit. You can also choose to more efficiently heat a large space by directing heat through multiple vents.

BURN RATES\*

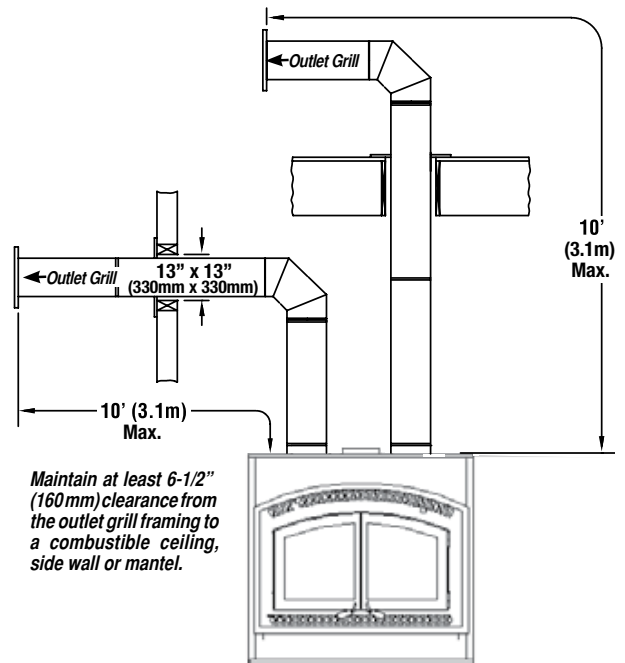


\*Results obtained by burning 25 lbs. of dry maple wood. (one hour pre-heating)

## APPLIANCE SPECIFICATIONS



## INSTALLATION SPECIFICATIONS



## PRODUCT SPECIFICATIONS

Glass Viewing Area (W x H)	31" x 15"
Firebox Interior (W x H x D+)	31" x 14-1/2" x 14"
Interior Cubic Feet	4.0
Maximum Log Size	30"
Chimney Size	7"
EPA Rating	7.4 grams/hr
BTU's	80,000
Heating Capacity (up to)	2,500 sq. ft.
Thermal Efficiency	86.7%
Blower	350 CFM
Weight	475 lbs.

+Measured in front of door

### IMPORTANT NOTES:

As with any fireplace, this appliance is extremely hot during operation. Read and understand all operating instructions before using this appliance. For further information, consult your dealer.

Local conditions, such as elevation, wind, vent configuration and choice of fuel will affect overall appearance of the fire and heating performance. Performance can also vary with home design and insulation, climate, condition and type of fuel used, appliance location, burn rate, accessories chosen, chimney installation and how the appliance is operated.

Diagrams, illustrations and photographs are not to scale—consult installation instructions. Product designs, materials, dimensions, specifications, colors and prices are subject to change or discontinuance without notice.

**astria**  
FIREPLACES™

© 2014 Innovative Hearth Products

785550M 07/14

Visit us online



Astria.us.com

