



realfyre

Direct Vent Systems

FYRESTARTER™ IPI

Gas Inserts



Real Fyre® D1-30 insert with small 3-sided surround, Burnt American Oak logs, Herringbone liner and optional Satin Stainless Nest overlay.

WHAT A FIRE IS MEANT TO BE



Real Fyre® D1-30 insert with small 3-sided surround, Burnt American Oak logs, Traditional brick liner and optional Solar Bronze Mission overlay.

TURN YOUR FIREPLACE INTO AN EFFICIENT GAS HEATER WITHOUT LOSING THE LOOK OF A WOOD FIRE

Nothing brings family and friends together like the beauty and warmth of a fire. The Real Fyre® Direct Vent Gas Insert combines dancing flames and glowing embers for the look of a wood fire with the convenience and efficiency of a modern gas heater. Two sizes fit most masonry or factory-built fireplaces. Direct-vent “sealed combustion” technology lets you turn down your central heating system and “zone heat” just the room you’re in. With the Fyrestarter™ hand held remote, flame and heat adjustments, thermostatic operations, or full control of the quiet yet powerful blower can all be done from the comfort of your easy chair. An accent light lets you showcase the beautiful detail of the specially crafted Burnt American Oak or Split Burnt American Oak logs whether the fire is on or off. So gather ‘round the fire with a Real Fyre® Direct Vent Gas Insert and start enjoying your fireplace again!

WHAT A FIRE IS MEANT TO BE

STANDARD FEATURES

- Large viewing area showcases fire to entire room
- Choice of natural gas or propane models in three sizes to fit most fireplaces
- Adjustable heat output with dual burners (D1-30 & D1-36 models)
 - D1-25: 16,000 to 25,000 BTU's natural gas & 16,000 to 20,000 BTU's propane (Single Burner)
 - D1-30: 10,000 to 32,000 BTU's natural gas & 11,000 to 31,000 BTU's propane
 - D1-36: 12,000 to 38,000 BTU's natural gas & 13,000 to 36,000 BTU's propane
- Specially crafted Real Fyre® Burnt American Oak and Split Burnt American Oak logs with dancing flames and glowing embers closely simulate a real wood fire
- High performance 125 CFM blower distributes heat quickly and quietly
- Electronic ignition system with battery backup – saves energy and will operate in a power failure
- A **Cold Weather Pilot Switch** ensures the pilot is operating when the temperature drops below 60° F -- recommended for reliable operation of direct vent gas hearth products in cold climates.
- Accent light highlights logs with or without the fire on (as shown below)
- Fine Mesh barrier screen helps prevent contact with glass
- Choice of traditional or herringbone brick pattern firebox liners for the look of a masonry fireplace
- Fyrestarter™ Remote Control System plus One-touch On/Off switch for easy operation



GAS LOG OPTIONS

THE BEAUTIFUL REALISTIC DETAIL OF REAL FYRE® LOGS IN A DIRECT VENT SYSTEM...

Burnt American Oak



Split Burnt American Oak



Both the Burnt American Oak and Split Burnt American Oak logs in the new Real Fyre® Direct Vent Gas Insert are molded from an exclusive new proprietary fiber-based refractory ceramics mixture that's lightweight, durable and glows like an actual burning wood log.

BARRIER FYRE SCREENS

Real Fyre® inserts include a standard fine mesh barrier screen that complies with the new 2015 safety requirements and helps prevent contact with hot glass surfaces. Stylish optional overlays are easily installed on the standard barrier and are available in a variety of designs and finishes. Mission Overlays are sturdy 3/16" steel in a choice of solar bronze, satin black or vintage iron finishes. Nest, Arc, Oval and Frame overlays are 18-gauge steel and are available in satin stainless steel or black powder coated finishes.



Standard Fine Mesh



Mission Overlay



Frame Overlay



Nest Overlay



Arc Overlay



Oval Overlay

INSERT OPTIONS

FIREBOX LINERS



Traditional Brick



Herringbone

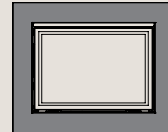
SURROUNDS



3-SIDED SURROUND DIRECT VENT SYSTEM
MODEL NO: D1-25 (w/ Split Burnt American Oak)



4-SIDED SURROUND DIRECT VENT SYSTEM
MODEL NO: D1-30 (w/ Burnt American Oak)



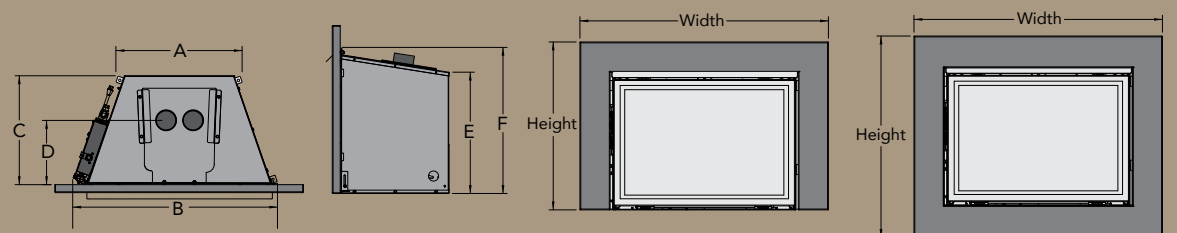
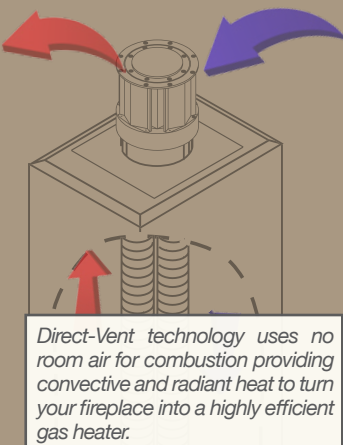
Models available in either a 3 or 4 sided surround with either Split Burnt Oak or Burnt American Oak



fyrestarter™ REMOTE SYSTEM

Fyrestarter™ full function remote control system is included with each unit. While a large flame may look good, it can sometimes over-heat a room. However if you turn it off, you lose the enjoyment of the flame. Fyrestarter™ Remote System includes a thermostat feature that automatically lowers the flame height as the room approaches the desired temperature. This way you don't have to make continuous adjustments and can instead enjoy the warmth and ambiance of your Real Fyre® Direct Vent Insert. The Fyrestarter™ Remote system also features an a 6-step flame height adjustment which includes a rear burner shut down (not available on the D1-25 model), an on/off accent light control, and a 6-speed blower control.

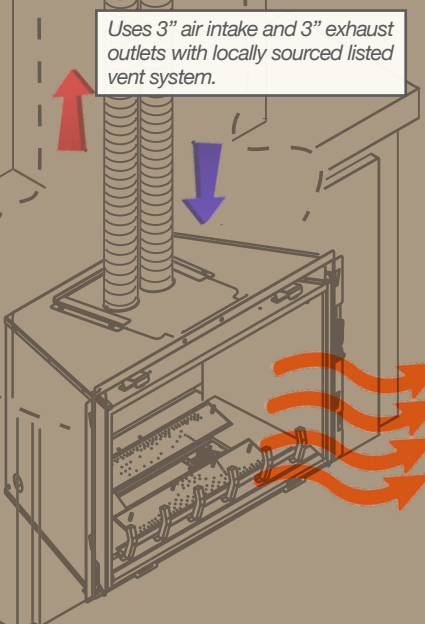
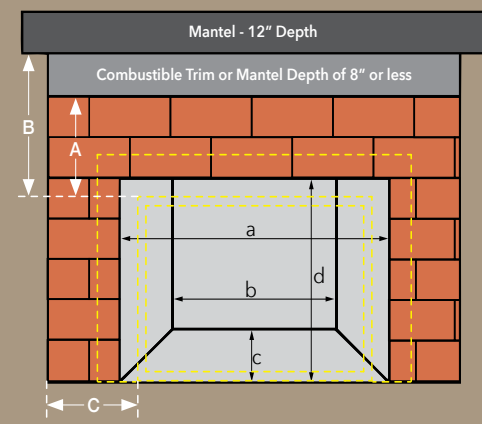
SPECIFICATIONS



UNIT DIMENSIONS			
Measurement	D1-25	D1-30	D1-36
A (Rear Width)	20 ¹ / ₈ "	20 ¹ / ₂ "	23"
B (Front Width)	29"	31 ¹ / ₂ "	34 ¹ / ₂ "
C (Unit Depth)	13 ¹ / ₄ "	16 ¹ / ₄ "	17 ¹ / ₄ "
D (Vent Depth)	6 ¹ / ₂ "	9 ¹ / ₂ "	9 ¹ / ₂ "
E (Rear Height)	15 ¹ / ₂ "	18 ¹ / ₈ "	21 ³ / ₈ "
F (Front Height)	18 ¹ / ₂ "	21 ¹ / ₂ "	25"

SURROUND DIMENSIONS							
Description	Width			Height			Depth
	D1-25	D1-30	D1-36	D1-25	D1-30	D1-36	
Surround 3-sided, small	34 ³ / ₈ "	38 ³ / ₈ "	43 ³ / ₈ "	22"	25"	29"	1 ¹ / ₂ "
Surround 3-sided, medium	37 ³ / ₈ "	41 ³ / ₈ "	45 ³ / ₈ "	25 ¹ / ₄ "	28"	32"	1 ¹ / ₂ "
Surround 3-sided, large	40 ³ / ₈ "	44 ³ / ₈ "	49 ³ / ₈ "	28"	31"	35"	1 ¹ / ₂ "
Surround 4-sided, small	34 ³ / ₈ "	38 ³ / ₈ "	43 ³ / ₈ "	27"	30"	33"	1 ¹ / ₂ "
Surround 4-sided, medium	37 ³ / ₈ "	41 ³ / ₈ "	45 ³ / ₈ "	30"	33"	36"	1 ¹ / ₂ "

Minimum Fireplace Opening	Dimension		
	D1-25	D1-30	D1-36
Front Width (a)	30"	34"	37"
Rear Width (b)	20 ¹ / ₂ "	21"	23 ³ / ₈ "
Depth (c)	15"	18 ¹ / ₂ "	19 ¹ / ₂ "
Height (d)	19"	22"	25 ¹ / ₂ "
Minimum Clearance			
Clearance needed from top edge of insert to combustible trim or 8" depth mantel (A)	16"	16"	16"
Clearance needed from top edge of insert to 12" depth mantel (B)	22"	22"	22"
Clearance needed from side edge of insert to combustibles or side wall (C)	6"	6"	6"



Efficiencies			
	D1-25	D1-30	D1-36
Canadian Energuide*	73.8%	75.8%	74.0%
U.S. AFUE**	66.5%	73.2%	72.1%
Steady State ***	73.6%	82.4%	77.1%

Canada
ENERGUIDE
Look for the EnerGuide Gas Fireplace Energy Efficiency Rating in this brochure
Based on CSA P.4.1-02

NATIONAL FIREPLACE INSTITUTE
NFI
CERTIFIED
PFS
C US

*Energuide is a rating used in Canada to measure fireplace efficiency
 **Annual Fuel Utilization Efficiency is the recognized U. S. rating for heating appliances like furnaces that cycle on and off to maintain a temperature at a constant rate
 ***Measures efficiency when an appliance like a gas insert runs continuously for several hours



RH PETERSON CO.
14724 PROCTOR AVE. CITY OF INDUSTRY, CA 91746
www.rhpeterson.com

Real Fyre® D1-36 Insert with small 4-sided surround, Split Burnt American Oak logs, Traditional brick liner and optional Satin Stainless Frame overlay.



REAL FYRE® DIRECT VENT SYSTEMS LIMITED WARRANTY HIGHLIGHTS

The insert body and firebox are **WARRANTED** as long as you own them (lifetime).

Burner assemblies are **WARRANTED** for **TEN (10) Years**.

Ceramic Glass Panel is **WARRANTED** for **FIVE (5) YEARS** (thermal breakage only).

Gas logs are **WARRANTED** for **FIVE (5) YEARS**.

Electronics and Gas Controls are **WARRANTED** for **ONE (1) YEAR**.

As with any heating appliance, this gas insert is extremely hot during and after operation and there is a risk of serious burns if care is not taken in the operation of the unit. Read all safety and operation information before using this appliance. For further information, consult your dealer. Local conditions including wind, elevation, vent configuration and type of gas will have an effect on the appearance of the flames and heating performance. Diagrams, illustrations and photographs are not to scale – consult installation and owner's manual. The Robert H. Peterson Co. reserves the right to amend product specifications without prior notice.

CRAFTED WITH PRIDE  IN THE USA